

We are Xcentric. Better. Faster. Stronger.



Mining Series

www.xcentricripper.com



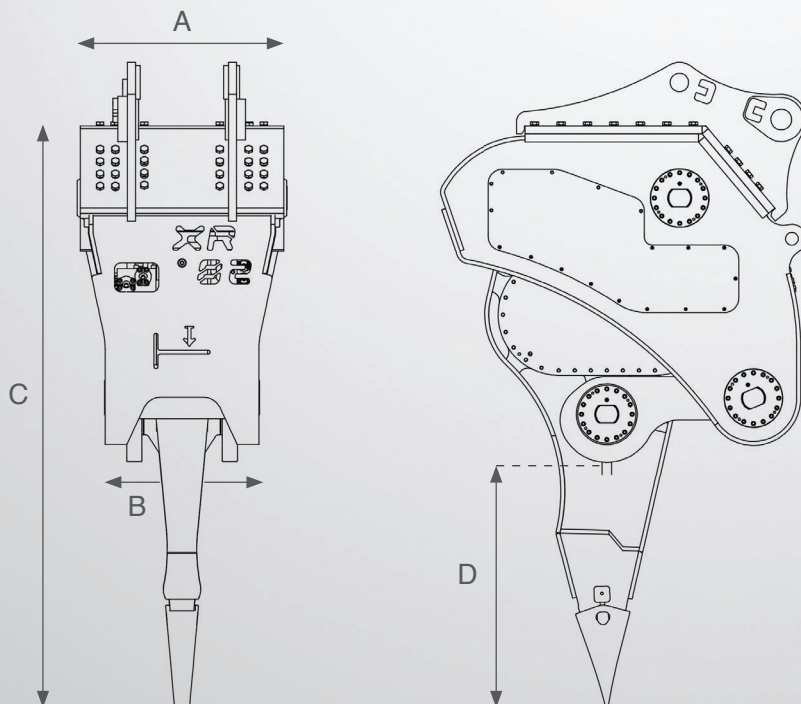
Xcentric Ripper “Mining Series”

Xcentric Ripper has developed a new series of high performance machines. Denominated as “**Mining Series**”, they are focused to be used in mining, where the highest production values are required, as well as continuous work shifts, where the reliability and comfort of working with the excavator are of vital importance.

The working technology is basically the same as in the standard version, but not the mechanics, which has been reinforced to achieve a greater impact at a lower frequency.

We guarantee that its use will not leave you indifferent, as well as 2 years warranty.

TECHNICAL SPECIFICATIONS		XR42	XR52	XR82
Excavator weight	Tons	32 - 40	40 - 55	70 - 90
Ripper operating weight	kg	4.200	4.900	10.000
Hydraulic working pressure	MPa	24	28	30
Hydraulic oil flow	L/min	200	270	420
Frecuency	1/min	1.100	1.100	750



	XR42	XR52	XR82
A	860	960	1.270
B	630	630	960
C	2.865	3.000	3.575
D	1.215	1.315	1.530

* Dimensions in millimeters.

XCENTRIC RIPPER INTERNATIONAL, S.L.

Landaluzea, 1. • 01015 Vitoria-Gasteiz (Spain) • Tel.: +34 945 290 555

www.xcentricripper.com