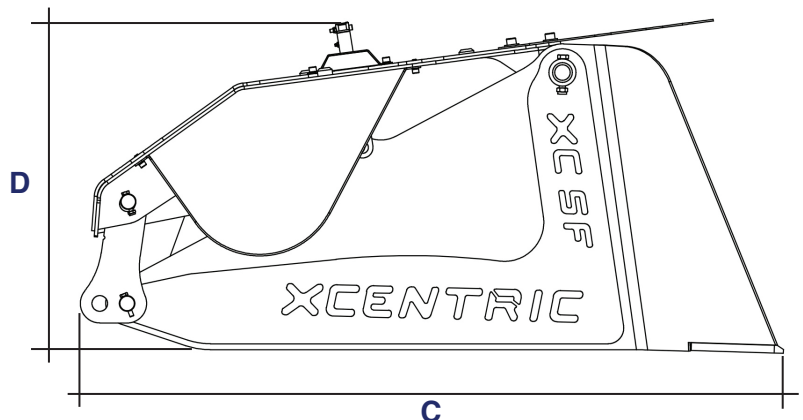
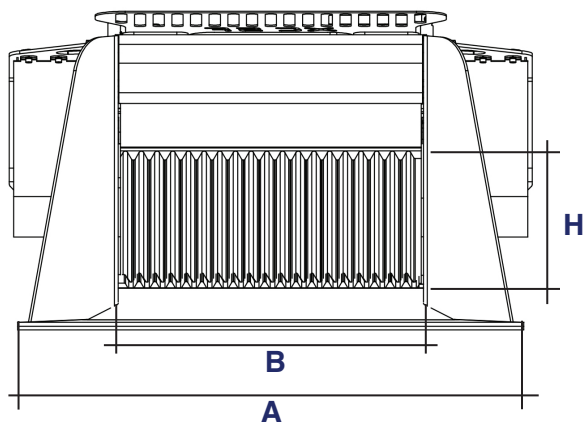




Xcentric Crusher XC5F



TECHNICAL SPECIFICATIONS		XC5F
Skid steer	Tn.	4 - 6
Weight (top plate not included)	kg	1.700
Operation pressure	MPa	24
Maximum operation flow	L/min	90
Hydraulic circuit		Shear mode
Loading capacity	m ³	0,4
External width (A)	mm	1.360
Internal width (B)	mm	810
Length (C)	mm	1.800
Height (D)	mm	780
Crushing cam opening (H)	mm	360
Output size regulation	mm	0-16 to 0-120



XCENTRIC RIPPER INTERNATIONAL, S.L.

Arriurdina, 15. · 01015 Vitoria-Gasteiz (Spain) · Tel.: +34 945 290 555

www.xcentricripper.com