

# DT-5 DRILLING DRIVE



TWO SPEED DRIVE UNIT | PN 610173



EXCAVATOR SIZE	MAX HOLE DEPTH
<b>3T - 6T</b>	<b>8'</b>
CONNECTIONS	MAX HOLE DIA.
HEX <b>2 1/2"</b>	<b>5'</b>
WEIGHT	<b>LBS   645</b>

## TRULINK TORQUE PIN

DT-5 is outfitted to fit these TruLink® Torque Monitor Systems.



TruLink 2.0 Class 1 with 7" Display  
**PN | 615070**

Kits include Pin, Displays, Anti-Rotation Block, Mount, Cable and Stylus.



The DT-5 will mount to the universal skid steer mounts, both standard and long reach, and will turn the TriMax® auger or Severe Rock Ripper® in those hard rock conditions. The auto shift feature allows the drive to automatically shift between high speed and low torque and low speed high torque depending on the input flow.

HYDRAULIC MOTOR INFORMATION	
Displacement	2.98 cu/in (97.6cc)
Motor Type	Two Speed Bi-Directional
Motor Output Shaft	1 1/4" Spline 14T
Motor Mount	SAE - C 4 Bolt
Motor Ports	1 5/8" - 12 UN-2B
Cross Over Pressure Relief	Set at 3,100 psi
PLANETARY GEARBOX INFORMATION	
Gearbox Type	Planetary Two Stage
Reduction Ratio	25.36:1
Output Shaft	2 1/2" Hex
Internal Oil Capacity	2.0 Gallons
Oil Type	SAE 80W90 GL-5
Shaft Pull Out (lbs.)	22,500 lbs.

# DT-5 DRILLING DRIVE

2-Speed Models must have a minimum of 20GPM

REFERENCE SPEED CHART

Flow GPM (Liter)	Low (rpm)	High (rpm)
20 (75)	25	50
25 (95)	31	63
30 (113)	38	75
35 (132)	44	88
40 (151)	50	100

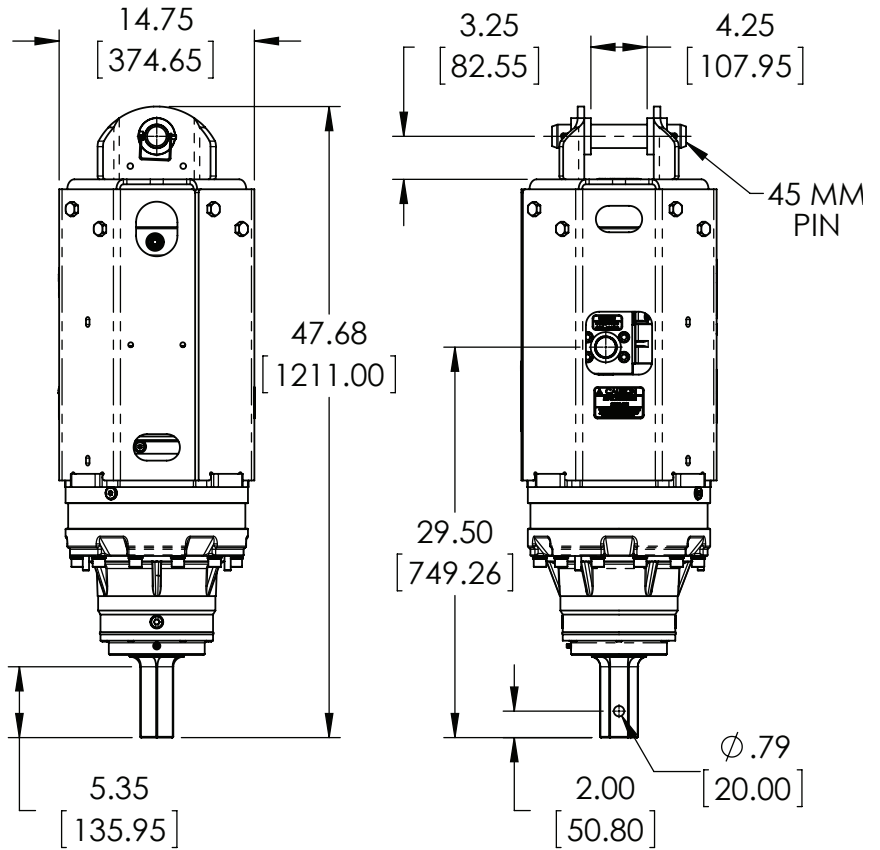
REFERENCE TORQUE CHART (LT / HS)

Pressure (psi)	THEORETICAL Torque (ft/lb)	ACTUAL Torque (ft/lb)
1000	1002	822
1200	1202	986
1400	1402	1150
1600	1603	1314
1800	1803	1478
2000	2004	1643
2200	2204	1807
2400	2404	1971
2600	2605	2136
2800	2805	2300
3000	3006	2465

Note that both theoretical and actual torque values are listed, but that Pengo recommends to go by ACTUAL torque listings.

REFERENCE TORQUE CHART (HT / LS)

Pressure (psi)	THEORETICAL Torque (ft/lb)	ACTUAL Torque (ft/lb)
1000	2004	1643
1200	2404	1971
1400	2805	2300
1600	3206	2629
1800	3607	2958
2000	4008	3287
2200	4409	3615
2400	4809	3943
2600	5210	4272
2800	5611	4601
3000	6012	4930



LOW TORQUE/HIGH SPEED OUTPUT

HIGH TORQUE/LOW SPEED OUTPUT

## MOUNTS for DT-5

A Pengo Exclusive! The Long Reach Mount for Skid Steer provides maximum ground clearance of 7' to 11' and increased height capability.

Pengo offers a complete excavator mounting systems for the DT-5 unit. These mounts can be mounted directly to the stick or designed to work with an existing quick coupler.

**45MM Pin**

LBS | 7

PN | 660558

**45MM Link Arm**

LBS | 46

PN | 660555

**2 1/2" Hex Drive Tool**

LBS | 28

PN | 158132

**Universal Long Reach**

LBS | 361

PN | 661318

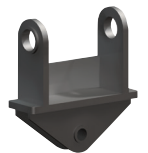
**Universal Mount**

LBS | 201

PN | 661111



Quick Coupler



End of Stick

Custom mounts can be designed for specific applications.

Excavator Mounts allow for maximum movement to ensure the Drive always hangs true to the ground.

Pengo lists output speeds at both theoretical and actual. Actual torque numbers are NOT listed at 100% efficiency. Maximum efficiencies have been applied to the torque and speed charts according to the manufacturer's recommendations. Speed and torque output are dependent on the overall system efficiencies associated with the prime movers hydraulic system. When the purchaser is determining criteria for specific applications please contact Pengo. Pengo has made every attempt to present accurate and suitable information published in this document. This document should be used for information and comparative purposes only. When application-specific information is required, please contact Pengo.

# DT-15 DRILLING DRIVE



TWO SPEED DRIVE UNIT | PN 610174



EXCAVATOR SIZE	MAX HOLE DEPTH	12'
12T - 20T	MAX HOLE DIA.	5"
CONNECTIONS	WEIGHT	LBS   825
HEX 3"		

## TRULINK TORQUE PIN

DT-15 is outfitted to fit these TruLink® Torque Monitor Systems.



TruLink 2.0 Class 1 with 7" Display  
PN | 615070

Kits include Pin, Displays, Anti-Rotation Block, Mount, Cable and Stylus.



The DT-15 Drilling drive will turn those utility and small foundation augers in most soil types. The auto shift feature allows the drive to automatically shift between high speed and low torque and low speed high torque depending on the input flow.

HYDRAULIC MOTOR INFORMATION	
Displacement	17.8 cu/in (293cc)
Motor Type	Two Speed Bi-Directional
Motor Output Shaft	1 1/4" Spline 14T
Motor Mount	SAE - C 4 Bolt
Motor Ports	1 5/8" - 12 UN-2B
Cross Over Pressure Relief	Set at 3,100 psi
PLANETARY GEARBOX INFORMATION	
Gearbox Type	Planetary Two Stage
Reduction Ratio	26.52:1
Output Shaft	3" Hex
Internal Oil Capacity	3.0 Gallons
Oil Type	SAE 80W90 GL-5
Shaft Pull Out (lbs.)	22,500 lbs.

# DT-15 DRILLING DRIVE

2-Speed Models must have a minimum of 20GPM

REFERENCE SPEED CHART

Flow GPM (Liter)	Low (rpm)	High (rpm)
20 (75)	8	16
30 (113)	12	24
40 (151)	16	32
50 (190)	20	40

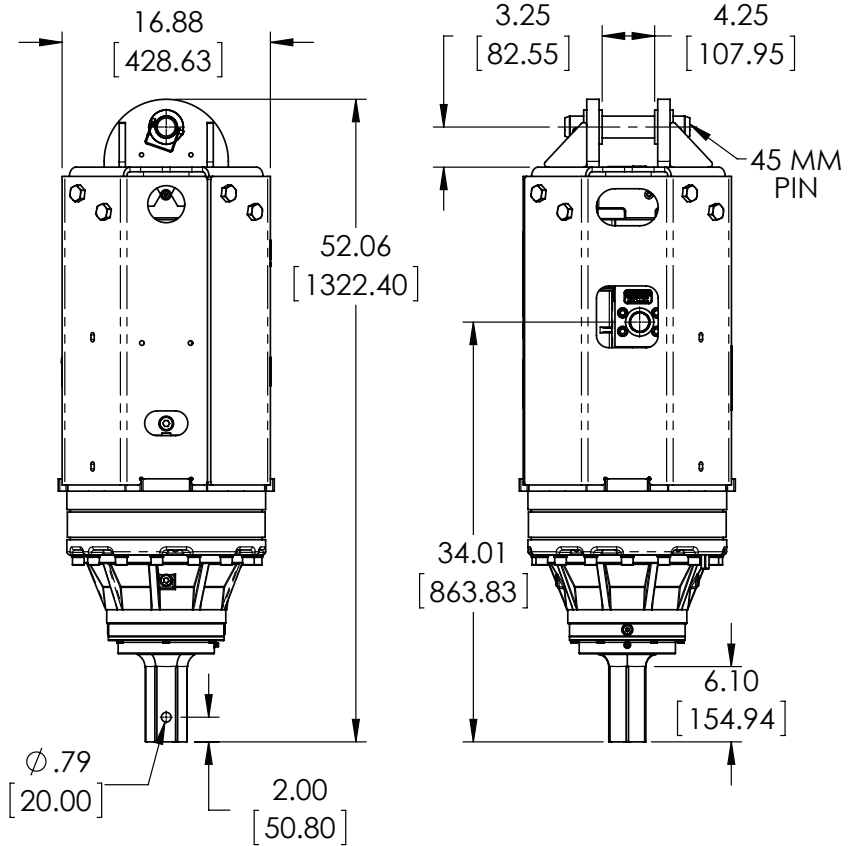
REFERENCE TORQUE CHART (LT / HS)

Pressure (psi)	THEORETICAL Torque (ft/lb)	ACTUAL Torque (ft/lb)
1000	3145	2579
1200	3775	3096
1400	4404	3611
1600	5033	4127
1800	5662	4643
2000	6291	5159
2200	6920	5674
2400	7550	6191
2600	8179	6707
2800	8808	7223
3000	9437	7738

Note that both theoretical and actual torque values are listed, but that Pengo recommends to go by ACTUAL torque listings.

REFERENCE TORQUE CHART (HT / LS)

Pressure (psi)	THEORETICAL Torque (ft/lb)	ACTUAL Torque (ft/lb)
1000	6291	5159
1200	7550	6191
1400	8808	7223
1600	10066	8254
1800	11325	9287
2000	12583	10318
2200	13841	11350
2400	15100	12382
2600	16358	13414
2800	17616	14445
3000	18875	15478



LOW TORQUE/HIGH SPEED OUTPUT

HIGH TORQUE/LOW SPEED OUTPUT

## MOUNTS for DT-15

Pengo offers a complete excavator mounting systems for the DT-15 unit. These mounts can be mounted directly to the stick or designed to work with an existing quick coupler.

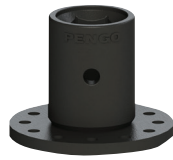
Custom mounts can be designed for specific applications.



Excavator Mounts allow for maximum movement to ensure the Drive always hangs true to the ground.

<b>45MM Pin</b>
<b>LBS   7</b>
<b>PN   660558</b>

<b>45MM Link Arm</b>
<b>LBS   46</b>
<b>PN   660555</b>



<b>3" Hex Drive Tool</b>
<b>LBS   35</b>
<b>PN   158137</b>

Pengo lists output speeds at both theoretical and actual. Actual torque numbers are NOT listed at 100% efficiency. Maximum efficiencies have been applied to the torque and speed charts according to the manufacturer's recommendations. Speed and torque output are dependent on the overall system efficiencies associated with the prime movers hydraulic system. When the purchaser is determining criteria for specific applications please contact Pengo. Pengo has made every attempt to present accurate and suitable information published in this document. This document should be used for information and comparative purposes only. When application-specific information is required, please contact Pengo.